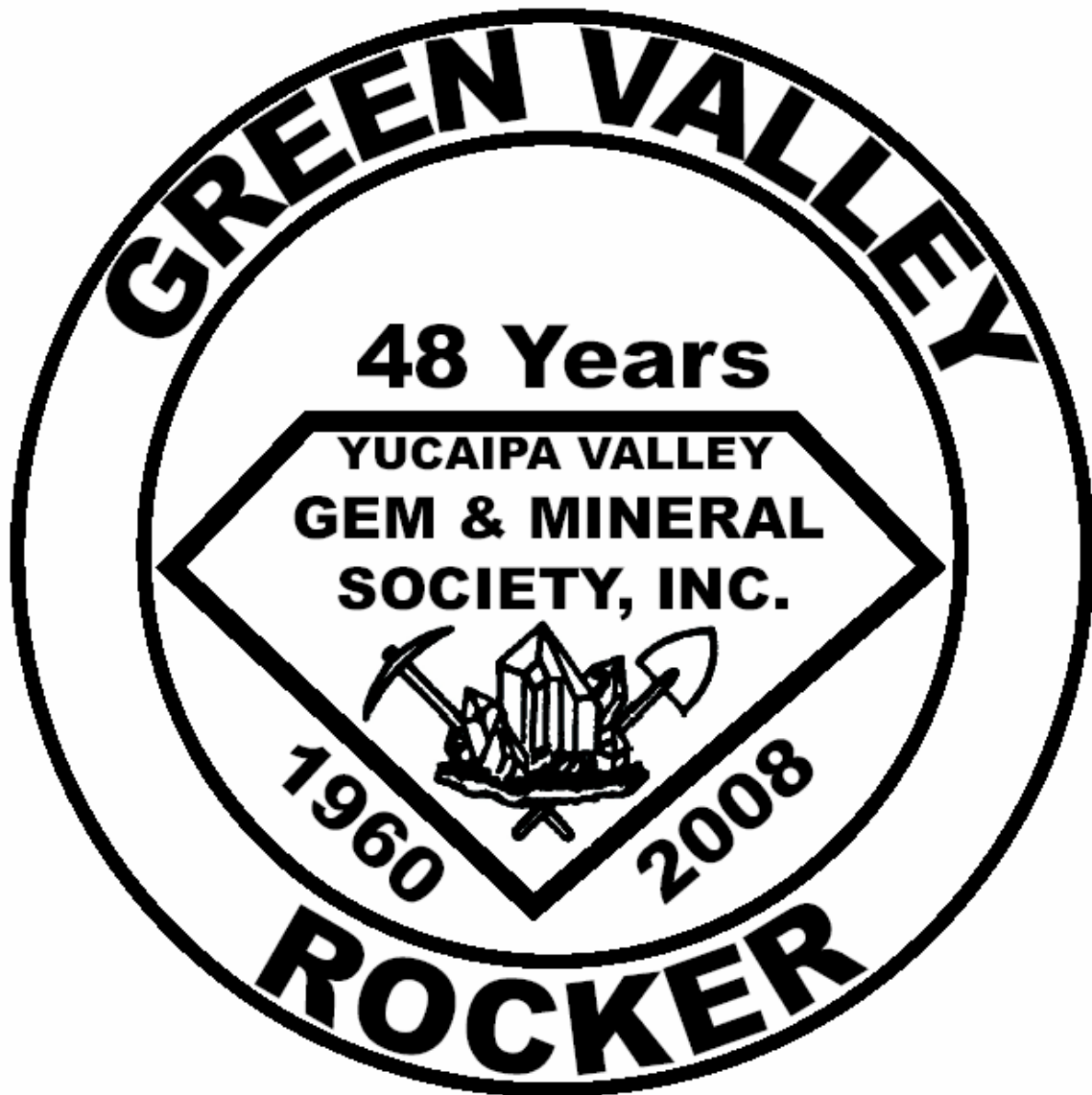


YUCAIPA VALLEY GEM & MINERAL SOCIETY, Inc.



↓ APRIL, 2008

Post Office Box 494
Yucaipa, California 92399



YUCAIPA VALLEY GEM & MINERAL SOCIETY, INC.

Post Office Box 494, Yucaipa, CA 92399

The specific purpose of the Yucaipa Valley Gem & Mineral Society, Inc. is to promote the earth sciences, paleontology, and the lapidary arts within the community. The objectives are to have educational meetings, earth science field trips, and exhibitions with members and the community invited.

Member of California Federation of Mineralogical Societies

Member of American Federation of Mineralogical Societies

REGULAR MEETINGS

Meetings are held at 7:00 p.m. on the second Thursday of the month at the Mousley Museum, on the corner of Bryant Street and Panorama near Date Street.

BOARD MEETINGS

Board Meetings will be held at 6:30 p.m. on the first Tuesday of the month at the Workshop, 34861 Yucaipa Blvd, across from Del Taco, west of 2nd.

MEMBERSHIP REQUIREMENTS

An applicant must file an application which can be obtained from the Membership Chairman.

Annual dues are required: Individuals - \$15.00 Families - \$25.00

WORKSHOP

Workshop is located at 34861 Yucaipa Blvd, across from Del Taco, west of 2nd Street.

Hours: Monday, Wednesday and Friday nights 6pm to 9pm

Saturday 9am to 1pm & Sunday 1pm to 5pm.

Workshop committee meetings are at the workshop on the 3rd Saturday of each month at 2:00 p.m.

METAL DETECTOR GROUP

Meetings are held at 6:00 p.m. on the first Thursday of the month at the Mousley Museum, on the corner of Bryant Street and Panorama, near Date Street.

BULLETIN

Your contributions to the Green Valley Rocker are appreciated.

Please submit your items *by the 20th of each month* to be included in the next month's issue.

Editor: C. Taylor
P.O. Box 494
Yucaipa, CA 92399

Email: all_wrapped_up2000@yahoo.com
Member Email: YVGMSbiz@yahoo.com
Web Site: <http://mysite.verizon.net/yucaipagem>

CFMS: California Federation of Mineralogical Societies Inc.



AFMS: American Federation of Mineralogical Societies





President's Corner

It's that time of the year again, folks. It's Showtime!

Our show is a great opportunity to get together with those members we don't have the pleasure of seeing too often. We also have a chance to mix with folks from other clubs. Since it's at the same time as the Iris Festival, there are lots of folks not in any club at all. All without leaving Yucaipa! I helped last year, and boy was it fun!

First, I did Friday night security. You would think that sitting around making sure the mice don't cart off the rocks for the silent auction would be boring. At first, I was able to watch and help the festival folks close down for the night. Plenty of people walking around chatting; then, after it quieted down, I snuggled down with my favorite book of the moment, and had a good read.

I also helped with the silent auction. Just because you are helping does not mean you can't bid! It was very busy (remember those numbers from the meeting?), very hectic, and tons of fun. If you keep your eyes and ears open, you will learn to identify lots of rocks!

So, if you really want to have fun and learn about rocks, volunteer to help at the show this year. Talk to Bill J, Linda M, or any of the officers for more info.

Remember, too, each club member should donate a prize for the show. It does not need to be rock related. Last year, for instance, I donated one of my favorite coins.

Frank Fitch, President



April's Program

Pebble Terrace (Colorado River)

Frank and Patrice will give a talk on the fossils, petrified wood, and rock that can be found in the area. This area is often one of the side trips of the Wiley's Well field trips.

Workshop News

by Hank Cobb

There is a new Inland diamond 60 grit wheel on the 8" 6 wheel machine. Please treat it right and it will last for a long time.

We are putting new ball valves on the grinders and sanders to stop the water from leaking on the wheels when they are not in use. This will save money and make the shop more environmentally friendly.

Needing rocks for the "Wheel of Fortune," we have started the tumbler going again. The tumbled rocks will fill the rock bags used as prizes. Those of you who have tumblers of your own could help with this project. If you don't have any rocks to tumble contact Dan or Hank and we will supply them for you.

The sphere machines are popular these days, so be sure to sign up ahead of time. If you can't make it to the shop on your sign up day please let someone know and your position will be filled by someone else. If you sign up and don't show up after 30 minutes, you forfeit your appointment. We will let someone else use the machine.

There have been a few wonderful, dedicated people who have been coming in on non workshop days to clean the shop areas. Thank You Very Much! The Workshop Committee

A big Thank You! also goes to the members who washed rocks on Saturday March 15th. You did a very good job; about 15 buckets worth are cleaned and ready for the show.

Watch for more Rock Washing Days.

YVG&MS Field Trips

by Frank Fitch, frank.fitch@gmail.com

April 4,5,6 (Fri, Sat, Sun) Stoddard Wells rock show/tailgate: Ant Hill and the Bakersfield Gem and Mineral Show: 4-6 April. Great trip to the show with 50 vendors and a field trip to Ant Hill on Sat. If interested, please call Lee Peterson 909-794-0731.



April's Display & More

by Aimee Fitch

The following are the display subjects for the year 2008: *April*, Green colored rock/mineral; *May*, Grey colored rock/mineral; *June*, Jasper; *July*, Multi-colored colored rock/mineral; *August*, Fossil; *September*, Blue colored rock/mineral; *October*, Silver colored rock/mineral; *November*, Brown colored rock/mineral. *January 2009*, Gold/Yellow colored rock/mineral; *February 2009*, Pink/Red colored rock/mineral.

Remember, for competition purposes *PLEASE* limit your display to one item, or one set of items like a necklace with matching earrings and bracelet. Remember to participate and show off your creations!

Garage Sale

The Yucaipa Valley Gem & Mineral Society, Inc. will hold its annual garage sale at the Mousely Museum on April 12th. The Yucaipa Historical Society is jointly sponsoring the sale, so it should be a good one. The garage sale typically ends about noon or so (after the crowds die out).

We are now collecting material for the sale, so gather up those no-longer wanted treasures and take them to LaVone Ames' or Bob Dunham's place (temporary storage) or call Lee Peterson(909-794-0731) to pick up the items. We also need volunteers to help gather and price the items on Friday April 11th, to help set-up for the sale at 6 am on Saturday and then to help sell on Saturday. Please call Lee, or co-chairs Sue Mothersole or Janice Torres to volunteer (or email lee at res09ayd@verizon.net). Proceeds will go to help the operating expenses of the club and shop.

Metal Detecting

by Hank Cobb

There was another well attended meeting on February 7th of Yucaipa's treasure hunters, relic seekers and gold prospectors. Plans were finalized for a club outing to the Eagle Mountain Mine, on March 30. The group will depart the Mousley Museum at 6:00 a.m. or you can meet the group in Desert Center at 8:00 a.m. (Important; we must enter as a group) so don't be late!

At the February meeting, Club Member, Mike Reason presented background information about a historic portion of Crafton Hills and invited club members out to the location to search for possible artifacts. The afternoon outing will be held on April 19th. For exact time and location, attend the April meeting.

Club Member and "Master Detectorist", Bob Dunham, shared tried and true methods to make your metal detectors work more efficiently for you. This information will really come in handy on the Eagle Mountain trip.

Be sure to attend the April 3rd meeting. We will plan our next Gold Prospecting trip. Also, remember to bring in your found treasures to show the group. (even the pull tabs)



Upcoming Shows & Events

<http://www.rockngem.com/showdates.asp>

.....April, 2008.....

4-6--BAKERSFIELD, CA: "Rock and Gem Rendezvous"; San Joaquin Valley Lapidary Society; Kern County Fair Grounds Carnival lot, 1142 South P. St., corner of Belle Terrace and P. St.; Fri. 9-7, Sat Sun. 9-5; free admission; free hourly drawings, dealers, jewelry, gems, beads, pearls, new/used tools-supplies, demos, arrowhead & sphere making, wire wrapping, silversmithing, Calif geology displays, kids' day Fri., gold panning, mining, "Wheel of Fortune," prizes; e-mail: lewsrocks@bak.rr.com

14-16--VICTORVILLE, CA: Victor Valley Gem & Mineral Club; Stoddard Wells, Stoddard Wells Rd.; Fri, Sat, Sun 9-5; free admission; findings, books, jewelry, slabs, cabs, equipment, tons of rough, field trips, prizes; Web site: <http://fosse.schema-root.org/wgmc/>

26-27--LANCASTER, CA: Antelope Valley Gem & Mineral Club; Lancaster High School, 44701 32nd St. W.; Sat & Sun. 9-5; free admission; dealers, silent auction, raffle drawing; contact Jules Ficke, (661) 943-5157; e-mail: Av_Gem@Yahoo.com; Web site: www.geocities.com/av_gem

.....May, 2008.....

3-4--BAKERSFIELD, CA: "Art In Stone"; Kern County Mineral Society; Kern County Fairgrounds, Ming Ave. and P St.; Sat. & Sun. 10-5; free admission; lapidary, gem, mineral and fossil displays, dealers, demonstrations, silent auction, grab bags, Spin-N-Win; contact Ismael Sanchez, 1200 Dolores St., Bakersfield, CA 93305, (661) 301-4609; e-mail: sbkelley@bak.rr.com; Web site: www.kcmineralsociety.org

10-11--RENO, NV: "Jackpot of Gems"; Reno Gem & Mineral Society; Reno Livestock Event Center, Exhibits Hall, 1350 N. Wells Ave.; Sat. 10-5, Sun. 10-4; adults \$5, seniors \$4, children 6-12 \$3; dealers, demonstrators, exhibits, competition cases, door prizes; contact John Peterson, 480 Rock Blvd., Sparks, NV 89431, (775) 356-8820; e-mail: jtp@powernet.net; Web site: www.renorockclub.com

16-18--COSTA MESA, CALIFORNIA: "West Coast Gem & Mineral Show"; Martin Zinn Expositions; Holiday Inn - Bristol Plaza, 3131 S. Bristol; Fri. 10-6, Sat. 10-6, Sun. 10-5; free admission; 120 dealers, China, Brazil, Russia, India; contact Regina Aumente, e-mail: mz0955@aol.com; Web site: www.mzexpos.com

23-25--SANTA BARBARA, CA: Gem Faire; Earl Warren Showgrounds/Exhibit Hall, 3400 Calle Real; Fri. 12-7, Sat. 10-7, Sun. 10-5; \$5 weekend pass; contact Yooy Nelson, (503) 252-8300; e-mail: info@gemfaire.com; Web site: www.gemfaire.com

.....May, June 2008.....

31-1--GLENDDORA, CA: Glendora Gems; 859 E. Sierra Madre; Sat. 10-5, Sun. 10-4; contact Bonnie Bidwell, e-mail: Ybidwell2@aol.com



CFMS Report

California Federation of Mineralogical Societies (CFMS)

By Don Tracy, CFMS Director
Items from the March, April, 2008 Newsletters

Calendar of CFMS Activities

- April 12.....Field Trip Seminar (north), Pittsburg, CA
- May 15.....Nomination deadline for Golden Bear Award
- May 21-26.....Tri-federation Rockhound Rendezvous
- June 27-29.....CFMS Convention & Annual Show, Ventura, CA
- Aug 31-Sep 6.....Lapidary & Science Seminar, Week One, Camp Paradise, CA
- Sep 7-13.....Lapidary & Science Seminar, Week Two, Camp Paradise, CA

Application forms are now available to register for one or two weeks at Camp Paradise and will be accepted starting April 1st - this is no joke. Camp Paradise is located about 45 miles east of Marysville on Highway E-21 (Clipper Mills) at an elevation of around 4,000 feet above mean sea level. The facilities are a rustic church camp (alcohol is not allowed) with guest rooms, bathrooms, showers, communal cabins, and RV spaces with water and electric. The cost is \$300 per person per week. You can apply for first week, second week, or both weeks. It is a great bargain for the price. Activities include field trips, lapidary and jewelry classes, speakers, and socializing. The two weekly events are traditionally known as the "Earth Sciences Seminar." Spaces are limited and fill up fast but preference will be given to first time students.

Jim Brace-Thompson of the Ventura Gem & Mineral Society is the CFMS Board Secretary and Chairman of the Junior Activities Committee. Because the Annual Show and Convention are in his hometown this year, he is trying to organize a forum for a Juniors Roundtable discussion and exchange of ideas concerning activities for young folks. Topics would include "Future Rockhounds of America Program" or FRA, Diamond Dan materials, and merit badges for Boy Scouts and Girl Scouts. If interested call him at 805-659-3577 or email at jbraceth@roadrunner.com.

All Yucaipa club members should know that about \$6 of their annual dues go for general liability insurance coverage. Also, 50 cents goes to the AFMS (American Federation) and one dollar goes to CFMS (California Federation). An article in CFMS' April newsletter listed benefits of CFMS affiliation and reported a total of 18 items. I think they missed one: the great sum of knowledge that many talented rockhounds share just for the fun of it.

Your e-Bulletin

by Mike Reason

43 households receive this newsletter electronically. Want to help the club save money in printing and postage costs? Send an email to mdreason@verizon.net, to begin receiving electronic copies.



YUCAIPA VALLEY GEM AND MINERAL SOCIETY, INC.
GENERAL MEETING MINUTES
March 13, 2008

Call to order: President Frank Fitch called the meeting to order at 7:15 pm.

Pledge of Allegiance: led by Bill Jochimsen.

Minutes: Accepted.

Guests: Allison ?

Treasure Report: Given by Henry Cobb.

Correspondence: By Valesca Dwyer: 1. Letter from Cancer Society, if you want to light a candle for anyone that has cancer or donate fill out the Luminary Form. 2. CFMS Newsletter 3. From All Rockhounds PowWow-there will be a Gem and Mineral Show July 2nd through July 6th, 2008 at the Jefferson County Fairgrounds. 4. E-mail flyer about books on making chains and earrings.

Federation News: None this month.

Committee Reports: A. New Memberships: Valesca Dwyer: New Membership cards are out. New Members: Victor Padilla, William Bratton, Leroy Davis, Sharon Core, Jo Larue, and Terry Mongar.

B. Show: Linda Metcalfe-in charge of raffle prize recruitment. She needs volunteers to help collect prizes. Volunteers are asked to contact different businesses. Each member is asked to provide a gift for at least \$15.00 in value. We had over 170 gifts last year. Bill Jochimsen-talked on the different positions people are needed for the show with a short slide show. Volunteers Needed: 1. to set up all the tables Friday May 16th 2. to wash rocks at Henry's house 3. to move rocks from Henry's house to Community Center 4. to make the grab bags for the rock bingo 5. to run a hospitality desk, silent auction, and/or sell raffle tickets.6. to set up the display cases. 7. to demonstrate how to use the sphere machines/saws 8. to be security guards (nighttime too) 9. to demonstrate classes - beading/ wire wrapping. Workshop Day on March 21st 9am-noon to fix display cases. Bill will bring a signup sheet at the next meeting. Jack Templeton will be handing out raffle tickets tonight to sell. Valesca Dwyer sold the most tickets last year.

C. Shop: Dan Norcross-The shop is running well, all saws are running, and we have some new rocks. Henry will be running the shop on Easter, and the shop will be closed Sunday March 30th.

D. Field Trips: We had two good field trips last month. Sunday March 30th will be the Eagle Mountain trip. Meet at the Mosley Museum parking lot at 5:45 am. Site is approx. 2 hrs. from Yucaipa. Be at the Desert Center exit at approx. 8:00. We all have to go in together. We need someone to take photos. We have to pay the security guard when we get there. Henry Torres will give a tour of the Pumping Station on the same day. This Saturday, March 15th, the Antelope Valley Club is having a field trip to Lavic Siding. On April 4th 5th and 6th, Lee will be leading a trip to Ant Hill up by Bakersfield and there will be camping. Bakersfield will be having a show also. There may be a trip to the Gemological Institute of America in the San Diego area. **E. Metal Detecting:** Henry Cobb-April 19th 2:00 pm, meet at the shop to look for artifacts near Chapman Heights.

Old Business: 1. Budget passed at Board meeting. 2. For E-mail bulletin, give your E-mail address to Mike Reason. 3. Garage sale April 12th at the Mosley Museum. Bring items to the shop one week before the garage sale. We need volunteers for the pricing of the items.

New Business: Sue Mothersole- Rockwashing at Henry's March 15th at 1100 am. Bring lunch/hoses.

Break: Winners of mini raffle: Petrified wood and turtle necklace-Rainy Baldwin. Display case-Margaret Thielemann, Shop-Frank Fitch, Badge drawing-David Thieleman. Next months color is green.

Program: Given by Marvin Talbert on trip to Victoria, Australia.

Meeting adjourned: 9:45 pm.

Rainy Baldwin, Secretary



YUCAIPA VALLEY GEM & MINERAL SOCIETY, INC.

Post Office Box 494, Yucaipa, CA 92399

OFFICERS

President	Frank Fitch	(858)229-6870
Vice President	Lee Peterson	(909)794-0731
Secretary	Rainy Baldwin	(909)790-2792
Treasurer-CFO	Hank Cobb	(909)795-3716
Federation Director	Don Tracy	(951)845-5428

DIRECTORS

3-Year	Mike Reason	(909)795-2540
2-Year	Carl Morrow	(714)476-3727
1-Year	Sue Mothersole	(909)795-1681
1-Year	Lynn Parker	(951)769-1855

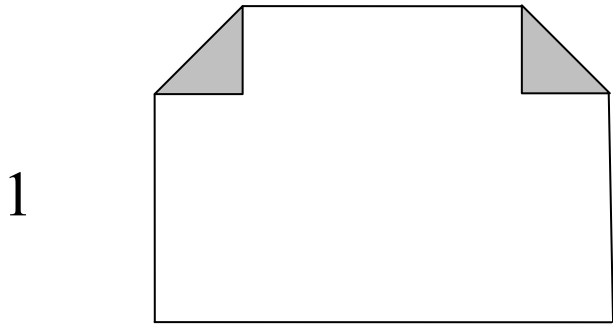
COMMITTEE CHAIRMEN

Bulletin Editor	C. Taylor	
Constitution & By Laws	Lee Peterson	(909)794-0731
Display	Aimee Fitch	(858)229-6870
Field Trip	Frank Fitch	(858)229-6870
Hospitality	Ann Boatman	(909)795-4618
Membership	Valesca Dwyer	(909)790-7313
Metal Detecting	Phil Alford	(909)795-8284
Mini-Raffle	Dan Norcross	(909)790-9749
Mini-Silent Auction	Sue Mothersole	(909)795-1681
Publicity	KT Gates-Waldrup	(909)797-9816
Refreshment	Open	(909)583-4522
Sergeant at Arms	Henry Torres	(909)795-7178
Show Chairman	Bill Jochimsen	(909)790-1475
Ways & Means	Kelly Templeton	(909)583-4522
Webmaster	Mike Reason	(909)795-2540
Workshop Chairman	Dan Norcross	(909)790-9749
Workshop Classes	Margaret Thieleman & Geneva Lucas	(925)998-6520 (909)793-8281
Workshop Phone	(Hank's cell phone)	(909)238-8143
Workshop Committee Members:	Hank Cobb, Richard Crockett, Bill Jochimsen & Margaret Thieleman	

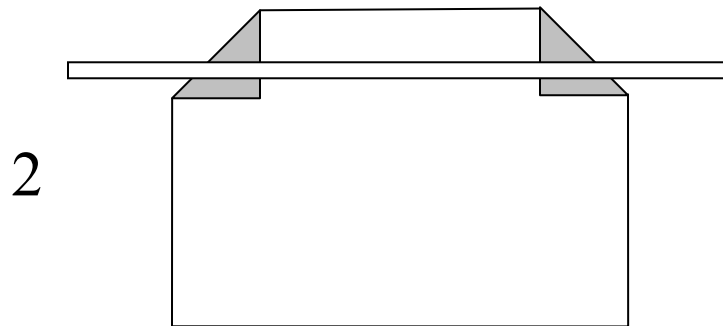


Pattern for Rock Bingo Bags

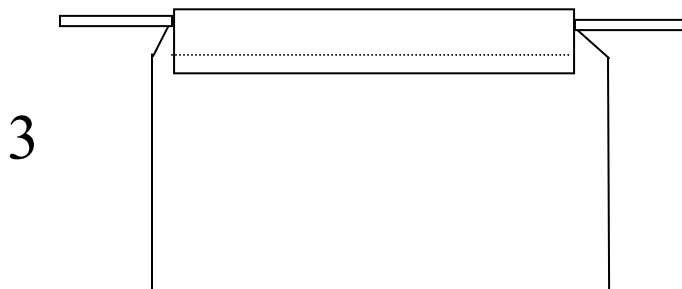
First, cut out a cardboard pattern 8-1/2" x 6 1/2". Lay the pattern on the material and trace around it with chalk. Cut out the material. The strings are made of heavy cord, cut into 24" lengths. Follow the diagrams below.



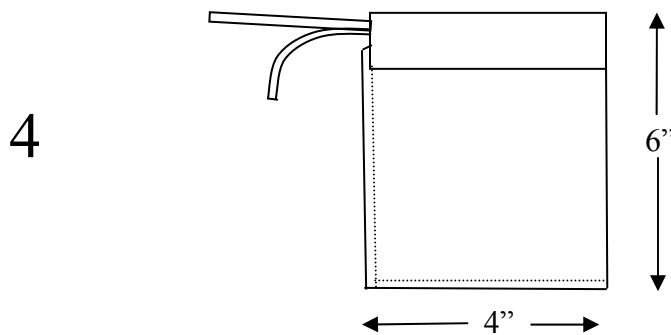
Fold over the corners.



Lay cord in place



Fold over and stitch



Fold in half, and then stitch across the bottom and up the side.



April 2008

		1 BOARD MTG 6:30PM	2	3 METAL DTCTG MTG 6:00PM	4 SHOP: 6 - 9PM BAKERSFIELD ANT HILL FIELD TRIP	5 SHOP: 9AM-1PM BAKERSFIELD ANT HILL FIELD TRIP
6 SHOP: 1PM-5PM BAKERSFIELD ANT HILL FIELD TRIP	7 SHOP: 6 - 9PM	8	9	10 REG MTG 7:00PM	11 SHOP: 6 - 9PM GARAGE SALE PRICING ITEMS	12 SHOP: 9AM-1PM GARAGE SALE MOUSLEY MUSEUM
13 SHOP: 1PM-5PM	14 SHOP: 6 - 9PM	15	16	17	18 SHOP: 6 - 9PM	19 SHOP: 9AM-1PM FIELD TRIP 2PM Chapman Heights
20 SHOP: 1PM-5PM PASSOVER	21 SHOP: 6 - 9PM	22 EARTH DAY	23	24	25 SHOP: 6 - 9PM	26 SHOP: 9AM-1PM
27 SHOP: 1PM-5PM	28 SHOP: 6 - 9PM	29	30	31		

BIRTHDAYS

April 1	Rainy Baldwin	April 17	Yvonne White
April 5	Joe Beloni	April 22	Lauretta Padilla
April 10	Victor, Padilla	April 23	Aimee Fitch
April 14	Sandy Taylor	April 25	Joanne Evans
April 15	Eric Abrams	April 28	Stephanie Carson
April 15	Joe LaRue	April 28	Stacie Cruz
April 15	Eric Abrams	April 29	April Delehanty
April 16	Henry Torres		

& ANNIVERSARIES

April 19 Jack & Kelly Templeton
 April 19 Larry & KT Waldrup